

VACUUM ROTARY ONE TOUCH FITTINGS

Specification

Fluid	Air
Maximum Operating Pressure	1.0 Mpa
Operating Vacuum Pressure	-100kPa
Proof Pressure	3.0MPa
Ambient & Fluid Temperature	-5 to 60°C (No Freezing)



Ordering Code

KC - KS	H	04	01	S
Model	Style	O.D. mm Ø	Thread	Thread Sealant
KC-KS : Slow Rotating	H : Straight	04 : 04	M5 : M5 x 0.8	Blank : None
KC-KX : Fast Rotating	L : Elbow	06 : 06	M6 : M6 x 1.0	S : With
		08 : 08	01 : R1/8	
		10 : 10	02 : R1/4	
		12 : 12	03 : R3/8	
			04 : R1/2	

Product Features

- 1 Low torque rotation rotary one touch push-in fittings.
- 2 Suitable for use in oscillating and rotating applications.
- 3 Brass nickel plated threads.

Rotating Torque / Number of Rotations

Tube O.D.		04	06	08	10	12
Rotating Torque		0.006	0.012	0.014	0.020	0.022
Maximum number of rotations	KC-KS	50	500	400	300	250
	KC-KX	1500	1200	1200	1000	1000

Rotating torque under 0.5MPa

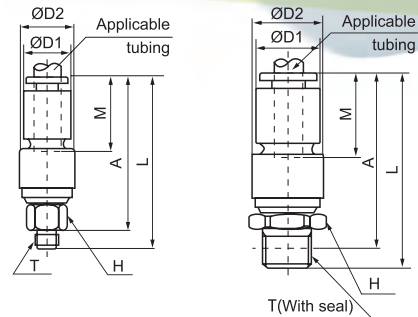
VACUUM ROTARY ONE TOUCH FITTINGS

Dimensions

All sizes are in millimetres unless stated otherwise.

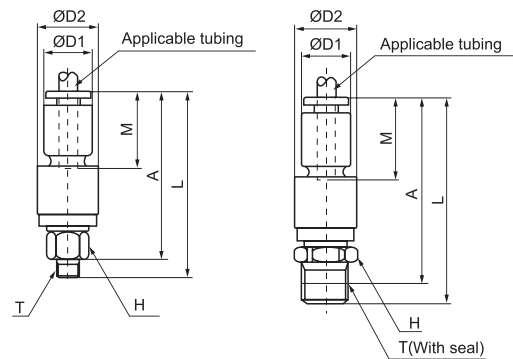
KC-KSH : Slow, Straight

Model	O.D. mm	Thread	H	D1	D2	L	A	M
KC-KSH04-M5	04	M5 x 0.8	8	10.4	12	36.5	33	16
KC-KSH04-M6	04	M6 x 1				37		
KC-KSH04-01S	04	1/8"	12			38	34	
KC-KSH06-M5	06	M5 x 0.8	8	12.8	14	37.5	33.5	17
KC-KSH06-M6	06	M6 x 1				38		
KC-KSH06-01S	06	1/8"	14			39.5	35.5	
KC-KSH06-02S	06	1/4"		42.5				
KC-KSH08-01S	08	1/8"	17	15.2	17	44	40	18.5
KC-KSH08-02S	08	1/4"				47		
KC-KSH08-03S	08	3/8"				48	41.5	
KC-KSH10-02S	10	1/4"	22	18.5	22	54	48	21
KC-KSH10-03S	10	3/8"				55		
KC-KSH10-04S	10	1/2"				57.5	49.5	
KC-KSH12-03S	12	3/8"	24	20.9	24	57	50.5	22
KC-KSH12-04S	12	1/2"				60		



KC-KXH : Fast, Straight

Model	O.D. mm	Thread	H	D1	D2	L	A	M
KC-KXH04-M5	04	M5 x 0.8	8	10.4	13	38.5	35	16
KC-KXH04-M6	04	M6 x 1				39		
KC-KXH04-01S	04	1/8"	12			40	36	
KC-KXH06-M5	06	M5 x 0.8	8	12.8	15	39.5	36	17
KC-KXH06-M6	06	M6 x 1				40		
KC-KXH06-01S	06	1/8"	14			42	38	
KC-KXH06-02S	06	1/4"		45				
KC-KXH08-01S	08	1/8"	17	15.2	18	46	42	18.5
KC-KXH08-02S	08	1/4"				49		
KC-KXH08-03S	08	3/8"				50	44	
KC-KXH10-02S	10	1/4"	22	18.5	23.5	58	52	21
KC-KXH10-03S	10	3/8"				59		
KC-KXH10-04S	10	1/2"				62	53	
KC-KXH12-03S	12	3/8"	24	20.9	26	60	54	22
KC-KXH12-04S	12	1/2"				63		



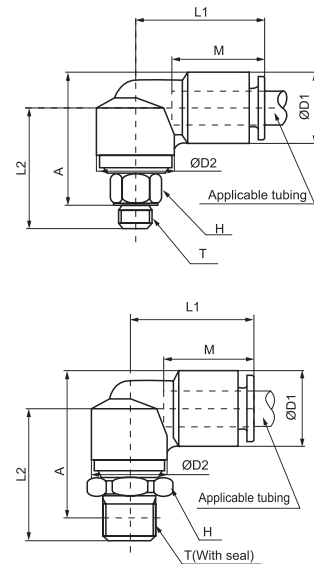
VACUUM ROTARY ONE TOUCH FITTINGS

Dimensions

All sizes are in millimetres unless stated otherwise.

KC-KSL : Slow, Elbow

Model	O.D. mm	Thread	H	D1	D2	L1	L2	A	M
KC-KSL04-M5	04	M5 x 0.8	8	10.4	12	21	20.5	22	16
KC-KSL04-M6	04	M6 x 1					21		
KC-KSL04-01S	04	1/8"	12				22	23.5	
KC-KSL06-M5	06	M5 x 0.8	8	12.8	14	23	21	23.5	17
KC-KSL06-M6	06	M6 x 1					21.5		
KC-KSL06-01S	06	1/8"	14				23	25.5	
KC-KSL06-02S	06	1/4"		26	26.5				
KC-KSL08-01S	08	1/8"	17	15.2	17	26	26.5	30	18.5
KC-KSL08-02S	08	1/4"					29.5		
KC-KSL08-03S	08	3/8"					31	32	
KC-KSL10-02S	10	1/4"	22	18.5	22	21.5	34	37.5	21
KC-KSL10-03S	10	3/8"					35		
KC-KSL10-04S	10	1/2"					38	39.5	
KC-KSL12-03S	12	3/8"	24	20.9	24	34	36.5	40.5	22
KC-KSL12-04S	12	1/2"					39.5		



KC-KXL : Fast, Elbow

Model	O.D. mm	Thread	H	D1	D2	L1	L	A	M
KC-KXL04-M5	04	M5 x 0.8	8	10.4	13	22	22.5	24	16
KC-KXL04-M6	04	M6 x 1					23		
KC-KXL04-01S	04	1/8"	12				24	25	
KC-KXL06-M5	06	M5 x 0.8	8	12.8	15	24	23.5	26	17
KC-KXL06-M6	06	M6 x 1					24		
KC-KXL06-01S	06	1/8"	14				25	28	
KC-KXL06-02S	06	1/4"		28	29				
KC-KXL08-01S	08	1/8"	17	15.2	18	27	29	32	18.5
KC-KXL08-02S	08	1/4"					32		
KC-KXL08-03S	08	3/8"					33	34	
KC-KXL10-02S	10	1/4"	22	18.5	23.5	32	38	42	21
KC-KXL10-03S	10	3/8"					39		
KC-KXL10-04S	10	1/2"					42	43	
KC-KXL12-03S	12	3/8"	24	20.9	26	35	40	44	22
KC-KXL12-04S	12	1/2"					43		

